

Technical data sheet



Product features

Fritéza elektrická dvojitá 0,74 kW/l, 11+11 l stolní s výpustí 400 V

Model	SAP Code	00020290
--------------	-----------------	----------



- Basin volume [l]: 11 + 11
- Drain: Yes
- Maximum device temperature [°C]: 190
- Minimum device temperature [°C]: 50
- Material: AISI 430
- Heating location: Inside the tank
- Number of baskets: 2
- Basket size [mm]: 4x 132 x 235 x 195

SAP Code	00020290	Loading	400 V / 3N - 50 Hz
Net Width [mm]	750	Basin volume [l]	11 + 11
Net Depth [mm]	515	Number of basins	2
Net Height [mm]	440	Number of baskets	2
Net Weight [kg]	22.00	Basket size [mm]	4x 132 x 235 x 195
Power electric [kW]	8.100		

Technical data sheet



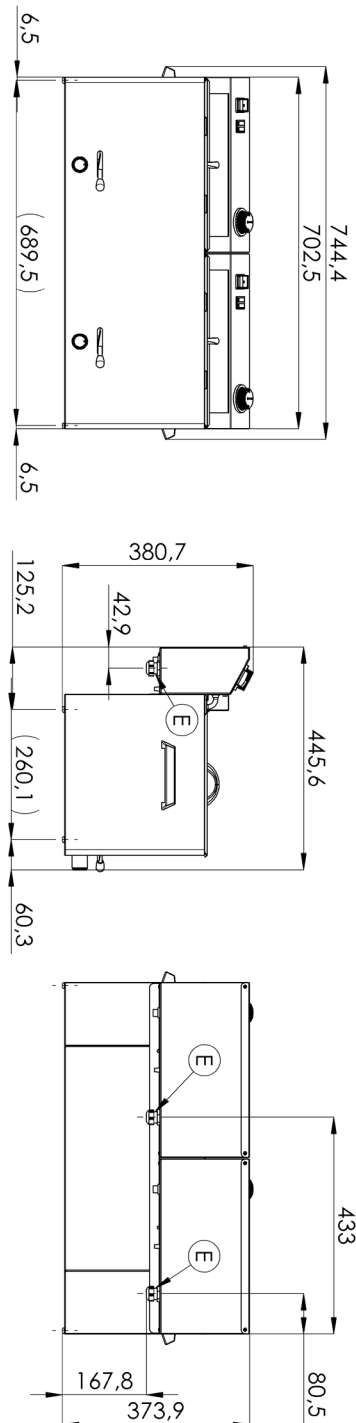
Technical drawing

Fritéza elektrická dvojité 0,74 kW/l, 11+11 l stolní s výpustí 400 V

Model

SAP Code

00020290



Technical data sheet



Technical parameters

Fritéza elektrická dvojitá 0,74 kW/l, 11+11 l stolní s výpustí 400 V

Model

SAP Code

00020290

1. SAP Code:

00020290

2. Net Width [mm]:

750

3. Net Depth [mm]:

515

4. Net Height [mm]:

440

5. Net Weight [kg]:

22.00

6. Gross Width [mm]:

760

7. Gross depth [mm]:

525

8. Gross Height [mm]:

450

9. Gross Weight [kg]:

25.00

10. Device type:

Electric unit

11. Construction type of device:

Table top

12. Power electric [kW]:

8.100

13. Loading:

400 V / 3N - 50 Hz

14. Exterior color of the device:

Stainless steel

15. Material:

AISI 430

16. Indicators:

operation and warm-up

17. Device heating type:

Direct

18. Standard equipment for device:

lid + basket

19. Basin volume [l]:

11 + 11

20. Volume capacity of the container [l]:

11.00

21. Maximum device temperature [°C]:

190

22. Minimum device temperature [°C]:

50

23. Safety element:

safety thermostat

24. Safety thermostat up to x ° C:

235

25. Adjustable feet:

No

26. Number of baskets:

2

27. Number of basins:

2

28. Basket size [mm]:

4x 132 x 235 x 195

Technical data sheet



Technical parameters

Fritéza elektrická dvojitá 0,74 kW/l, 11+11 l stolní s výpustí 400 V

Model	SAP Code	00020290
--------------	-----------------	----------

29. Drain:

Yes

31. Heating location:

Inside the tank

30. Number of GN / EN:

2